



Parts and Accessories. Installation Instructions.

Aluminium Running Board Retrofit BMW X3 (E83)

Retrofit kit No.: 51 71 0 305 705

Installation time

The installation time is 2.5 hours, but this may vary depending on the condition of the car and the equipment in it.

Important information

These installation instructions are primarily designed for use within the BMW dealership organisation and by authorised BMW service companies.

In any event the target group for these installation instructions is specialist personnel trained on BMW cars with the appropriate specialist knowledge.

All work must be completed using the latest BMW repair manuals, circuit diagrams, servicing manuals and work instructions in a rational order using the prescribed tools (special tools) and observing current health and safety regulations.

All the figures show LHD cars, proceed accordingly on RHD cars.

Pictograms:



denotes instructions that draw your attention to dangers.



denotes instructions that draw your attention to special features.

◀ denotes the end of the instruction or caution text.

See the EBA CD or Aftersales Portal for explanations of the pictograms.

Do not archive the hard copy of these installation instructions since daily updates are made by Aftersales Portal.

Subject to technical modifications.

Installation information

Some of the installation of the aerial is shown only on the left-hand side of the car, proceed in the same way on the right-hand side of the car.

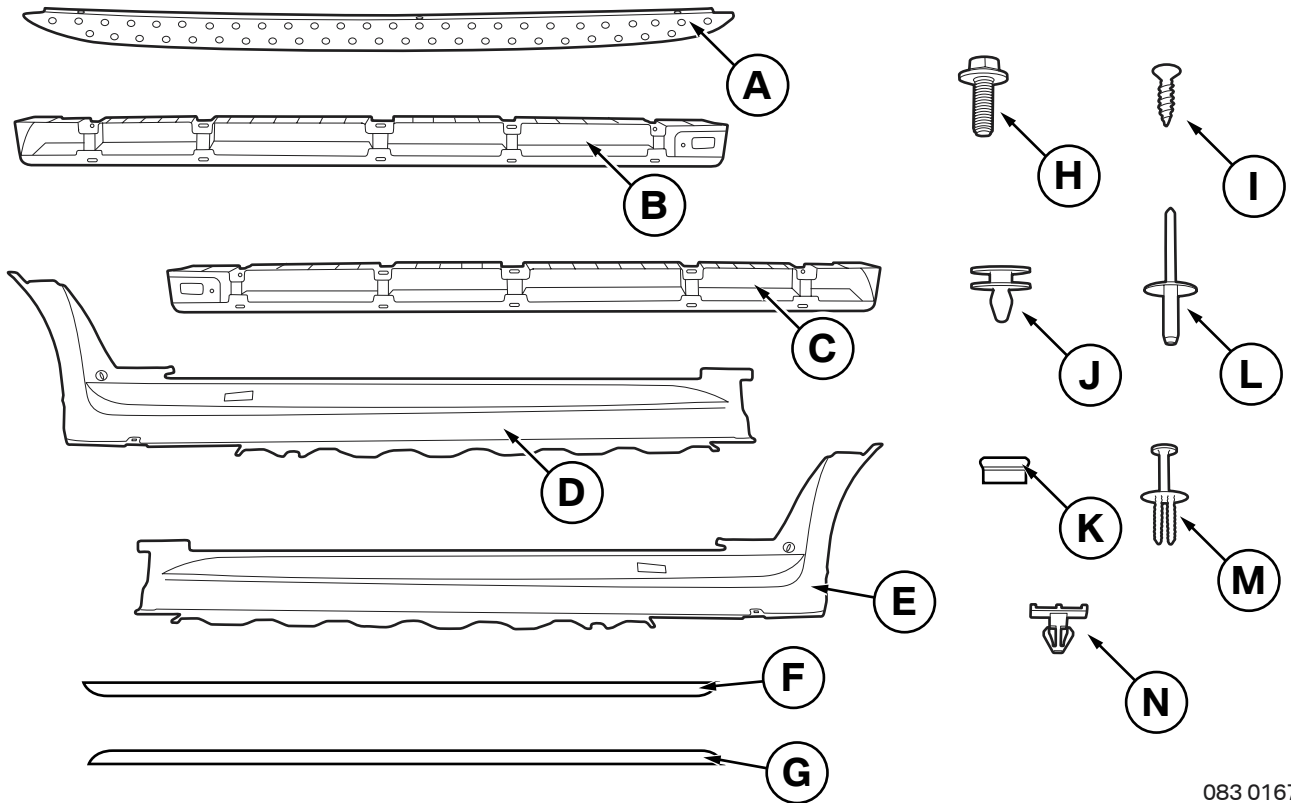
Special tools required

None

Contents

Section	Page
1. Parts list	3
2. Preparations.....	4
3. Installation work	5

1. Parts list



083 0167 V

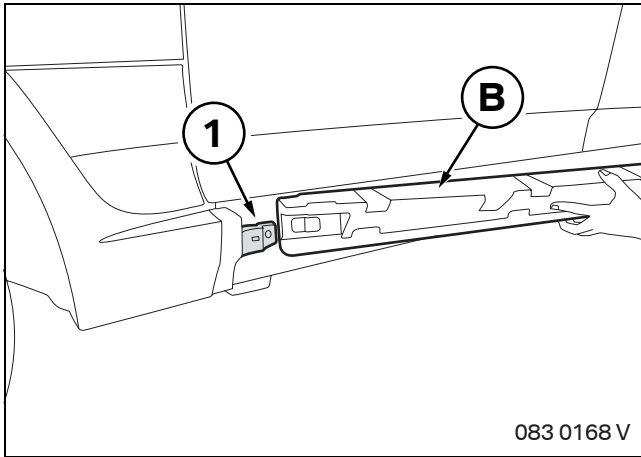
Legend

- A Aluminium running board (2x)
- B Left reinforcement
- C Right reinforcement
- D Left trim
- E Right trim
- F Left cover
- G Right cover
- H Hexagonal screw (20x)
- I Torx countersunk screw (6x)
- J Stopper (20x)
- K Grommets (22x)
- L Blind rivet (2x)
- M Expanding rivet (14x)
- N Clip (2x)

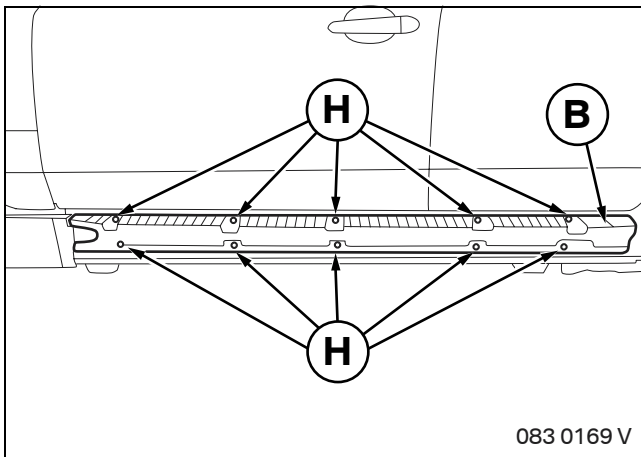
2. Preparations

	TIS No.
Conduct a brief test	---
The following components must be removed first of all	
Side skirt, left and right	51 71 472
Reinforcements, left and right	51 71 473


3. Installation work

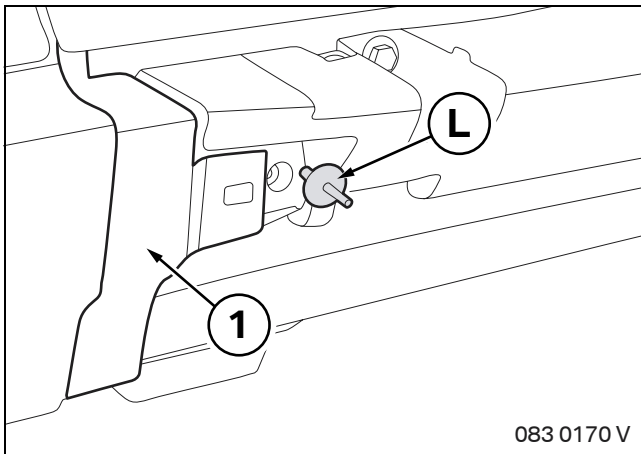


Push left reinforcement **B** under the holder (1).

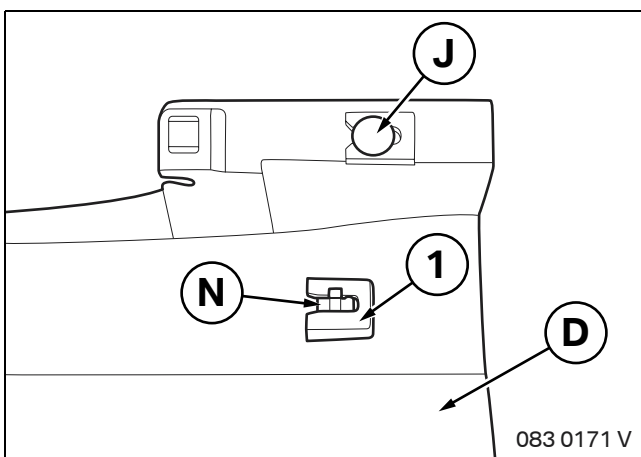


Use hexagonal screws **H** to secure left reinforcement **B**.

 Screws **H** must be tightened to a torque of 20.5 Nm. ◀

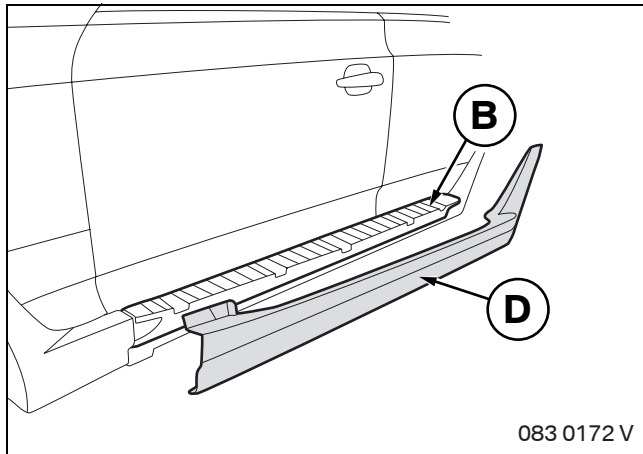


Use blind rivet **L** to secure the reinforcement onto the front side skirt (1).

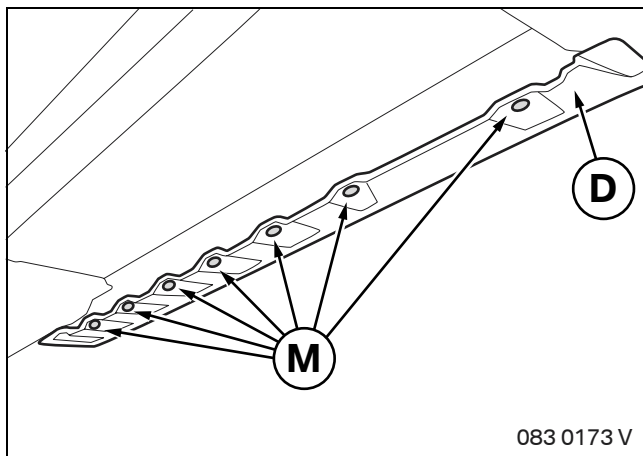


Insert clip **N** into the holder (1) of left trim **D**.
Insert stoppers **J** into the remaining holders.

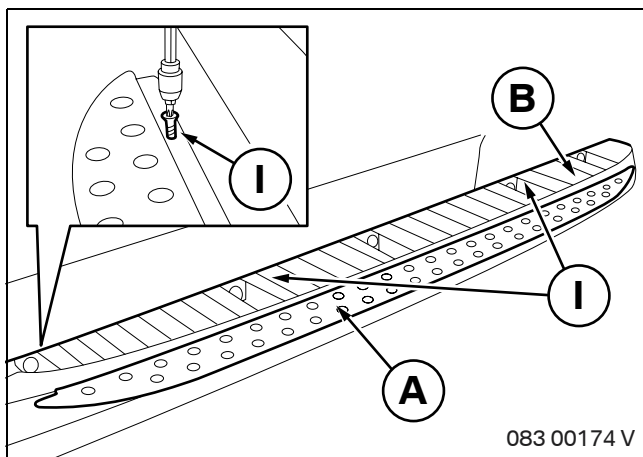
3. Installation work



Clip left trim **D** into left reinforcement **B**.



Use expanding rivets **M** to secure left trim **D** under the vehicle.



Clip aluminium running board **A** onto left trim **B** and use Torx screws **I** to attach.

Cover the Torx screws using left cover **F**.