



Installation Instructions

Audio, Satellite Radio

Ver. 3.0

Page 1 of 7

July 2007

Accessory
Development

These installation instructions supercede all previous versions

SUBJECT

SIRIUS RETROFIT KIT FOR X3 WITH NAVI - P/N 84 11 0 390 943

MODEL

X3 (E83): Select Vehicle Production 03/04 – On*

* Vehicle must have Satellite Radio Preparation (SA693) and optional Navigation (SA609).

SUGGESTED INSTALLATION TIME: 1.0 HOUR **

***Additional Installation time may be necessary for installation of 6-Disc CD Changer together with Satellite Radio, please refer to page 4.*

The instructions below are developed for BMW vehicles and are not to be compared to any other existing instructions for vehicles other than BMW. No methods other than those specified in this document are to be used for installation in BMW vehicles. Left and right are determined from driver's seat.

Carefully read all instructions and supplements before proceeding with the installation. Reference should be made to TIS for instructions dealing with a stock part of the vehicle but not stated in detail in these instructions.

The instructions were complete and up to date at time of publication; however, changes to the vehicle or installation may have occurred. Please report any problems or changes noted with the installation to BMW Technical Hotline, along with VIN, date of manufacture and as much detail as possible.

★ DO IT RIGHT THE FIRST TIME, ON TIME, EVERY TIME ★ ★

PARTS INFORMATION**Contents of Kit – P/N 84 11 0 390 943**

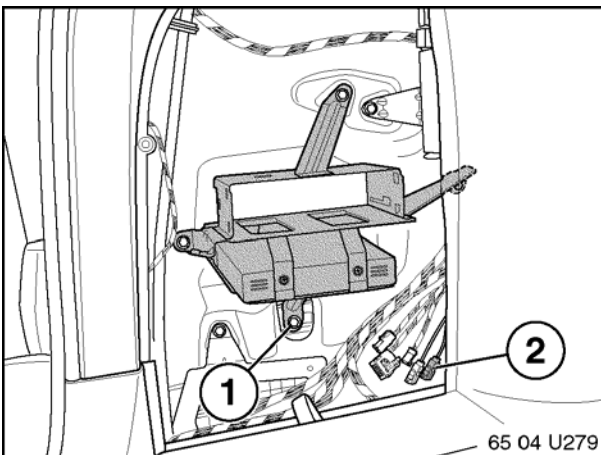
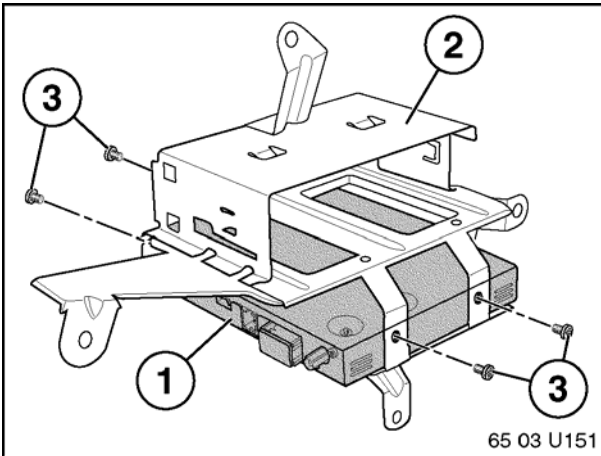
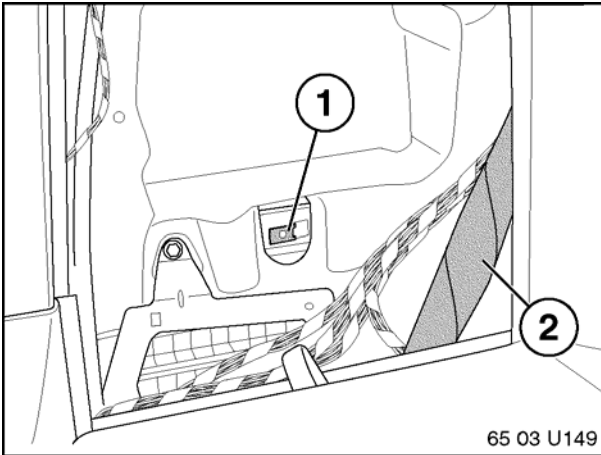
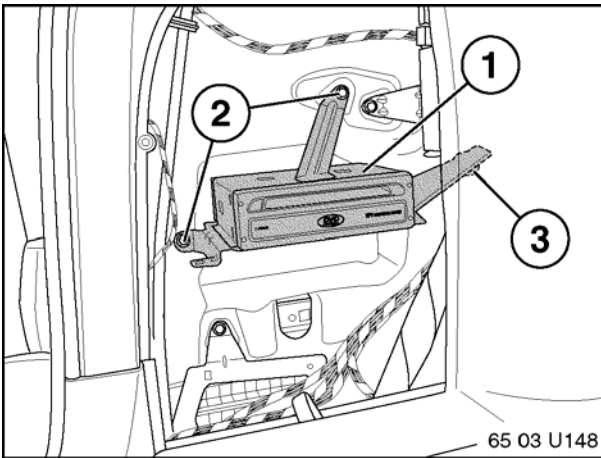
Description	Qty	BMW Part Number
Screw (M4x6)	4	07 11 9 901 061
Clip Nut M6	1	41 35 7 060 601
Bolt M6x13	1	51 34 1 950 474
Antenna Connector ⁽¹⁾	1	65 12 0 397 740

ADDITIONAL REQUIRED PARTS

Description	BMW Part Number
Sirius Receiver	65 12 0 416 377
	or
	65 12 0 398 140
Antenna Connector ⁽¹⁾	65 12 0 397 740
ALC Module ⁽²⁾	84 11 0 151 237

(1) Antenna connector (Curry color) is only to be used when installing Sirius receiver P/N 65 12 0 416 377 or 65 12 0 398 140. This connector is included in all installation kits built after October 2004. If your kit does not include this connector you will need to order it separately.

(2) ALC module is for use only with Sirius receiver 84 11 0 153 365.

Procedure:

1. Disconnect vehicle battery.
2. Remove Navigation Computer from Navigation bracket in left trunk component location using procedures available through TIS.
3. Remove original Navigation Bracket (1) by removing 2 bolts (2) and 1 nut (3).
4. Remove felt cover from lower mounting point (1) and insert clip nut in this location.
5. Locate Sirius connectors wrapped inside insulation padding (2). Remove connectors from padding and save padding for a later step.
6. Install Sirius Receiver (1) to bracket (2) as indicated using 4 screws (3).

Note: Be sure to orient Sirius Receiver in bracket as indicated.

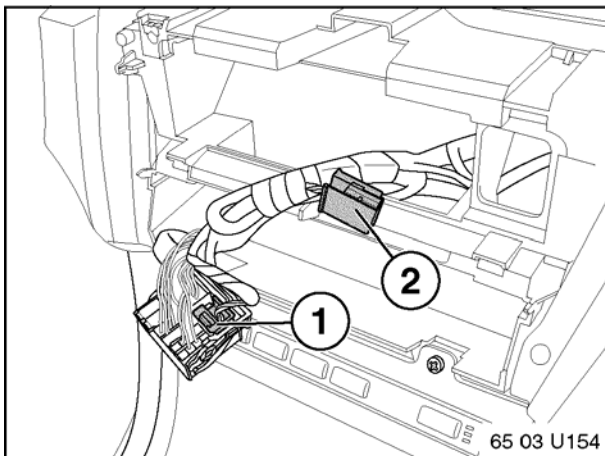
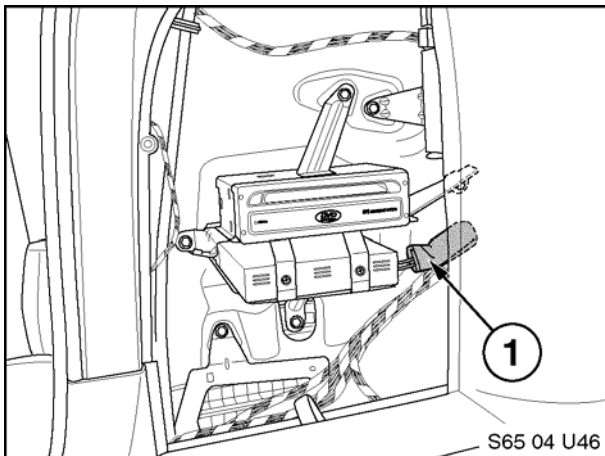
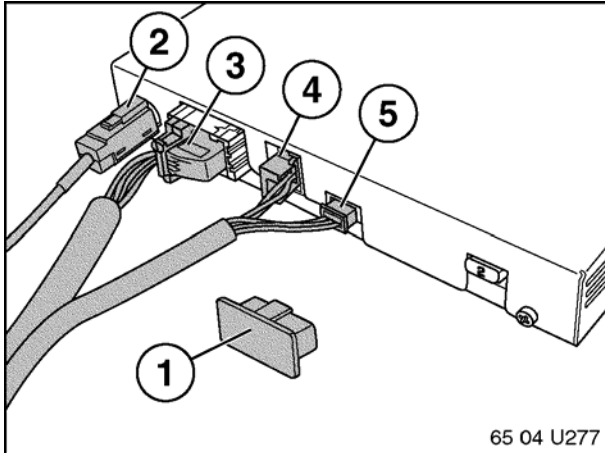
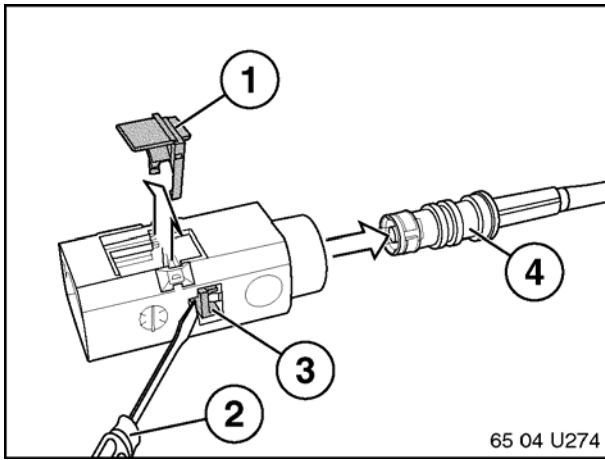
7. Install bracket to vehicle using original mounting hardware, with the addition of 1 bolt in lower mounting location (1)

For vehicle production 08/06 - On

8. Locate white Sirius antenna connector (2) and proceed to the next step.

For vehicle production 09/03 – 08/06

8. Locate the blue Sirius antenna connector (2) and proceed to the next step.



4

9. Remove safety clip from blue Sirius antenna connector (1), using a small flat head screwdriver (2) depress release tab (3) and pull out Sirius antenna cable (4).
10. Insert Sirius antenna cable into new Curry colored Sirius antenna connector P/N 65 12 0 397 740.

Note: Ensure that metal antenna connector is completely inserted into plastic housing.

11. Connect power (5), audio (4) and antenna (2) connectors to receiver.

Note: CDC extension connector (3) is only required when accessory CD changer is installed in center console. If no CD Changer is installed, then rubber plug (1) should remain in 12-pin connector to prevent possible damage to the Sirius Receiver.

12. Re-install Navigation Computer.
13. Secure loose wiring with felt padding (1) to prevent rattling.

14. Remove radio from center dash as per TIS.
15. Remove white 12-pin connector (1) located in lower part of radio connector. Replace with white 12-pin connector (2) labeled "CD-SDARS", taped back to harness.

If vehicle has a CD Changer installed, proceed to Step 18.

For vehicles without CD Changer installed, continue with next Step.

5

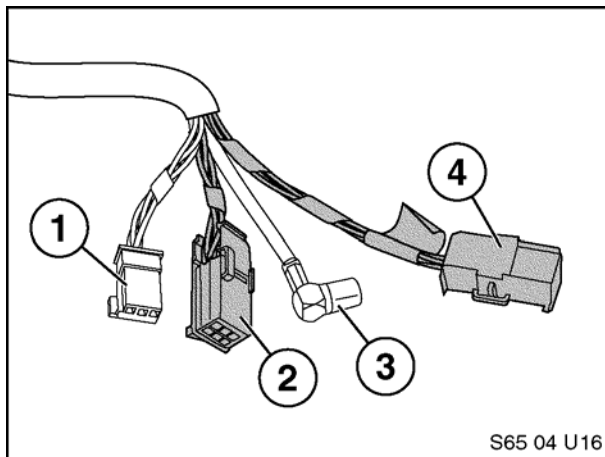
16. Re-install radio and re-assemble vehicle.

17. Re-connect vehicle battery.

Installation Complete.

Go to Activation Procedure outlined on last page.

For vehicles with CD Changer:



18. Remove center console following instructions available through TIS. Remove CD Changer.

19. Switch 6-pin audio connector (2) from bottom of CD Changer with 6-pin connector (4) labeled "CD-SDARS".

Note: Failure to perform this Step will result in no audio from CD Changer.

Note: Digital audio connector (3) is connected to CD changer only for vehicles without Navigation and with DSP audio system. Power/I-bus connector (1) is always connected to CD changer.

20. Re-install radio and re-assemble vehicle.

21. Re-connect vehicle battery.

Installation Complete.

Go to Activation Procedure outlined on last page.

RETROFIT CODING

There is no retrofit coding required for this installation.

For installation of CD changer in X3 vehicles, please refer to retrofit coding procedure outlined in CD Changer Retrofit Installation Instructions 01 29 0 306 160.

BMW NA SIRIUS SATELLITE RADIO ACTIVATION PROCEDURE
3 SERIES (E46), 5 SERIES (E39), X3, X5, Z4

Step 1: Locate vehicle outside so that the roof with has a clear **Line-of-Sight** to the sky. Make sure that vehicle is located at a distance greater than 10 feet from nearest building. (Do not place vehicle under a tree or other solid structure.)

Note: For BMW Centers located in downtown cities such as NYC or LA, it may not be necessary to locate vehicle outside. In this case, locate vehicle near window or other area with adequate signal strength to receive SIRIUS signal and activate receiver. Please consult your SIRIUS representative for signal coverage in your area.

Step 2: Turn key to position 1. (**KL-R**)

Step 3: Turn Radio **ON** by pressing knob.

Step 4: Press the "**MODE**" button repeatedly until SIRIUS Satellite Mode is activated. "**SIRIUS**" will be displayed.

Step 5: The receiver will now try to find any available SIRIUS Satellite Radio signal. "**ACQUIRING**" may flash in the display until a channel is found.

(If "ACQUIRING" continues to flash then no SIRIUS signal is available. Please re-locate vehicle and repeat Steps 1 – 4.)

Step 6: Channel 184 "Weather" should be found and audio heard at this time. (Channel 184 should be available on every receiver and was designed to allow technicians to confirm SIRIUS receiver functionality before activation.)

Step 7: If audio is functioning correctly (Check radio Balance and Fader), proceed to step 10. If not, go to next step.

Step 8: If "No Channel" is displayed, turn radio OFF, wait 10 seconds, and repeat Steps 3 & 4.

Step 9: Contact SIRIUS to activate receiver. **SIRIUS Receiver ESN** can be found on bottom of SIRIUS receiver or thru the radio display by pressing the "SAT" key (non-Navi vehicles) or "INFO" key (Navi vehicles) for greater than 1.5 seconds and the ESN will be shown.

Step 10: After SIRIUS Customer Service Representative activates receiver it will take approximately 5 minutes or less for signal to reach the vehicle. Leave radio in SIRIUS Satellite mode with "Weather" displayed and key in KL-R position for approximately 5 minutes for receiver to download complete satellite radio initialization information.

Step 11: Turn Radio OFF by pressing knob, wait 10 seconds, and repeat Steps 3 & 4.

Step 12: Press channel up/down arrow keys to select available channels. All available channels can now be selected and/or stored in 18 Preset locations. (Please refer to Owner's Manual for additional SIRIUS Satellite Mode functionality and features.) **ACTIVATION COMPLETE**

Step 13: If channels other than Channel 184 are not available, repeat Steps 11 & 12.

If channels are still not available, it may be necessary to repeat Steps 10 – 12 for additional activation attempt.

ACTIVATION COMPLETE