



Installation Instructions

Communication, Satellite Radio

Ver. 2.0

Page 1 of 7

October 2006

Accessory
Development

These updated installation instructions replace all previous versions

SUBJECT

SIRIUS RECEIVER INSTALLATION KIT – 84 11 0 141 975*

**This installation kit is not compatible with CPT-8000 telephone. If the vehicle is equipped with CPT-8000 phone, please refer to BMW Parts Bulletin or Centernet for alternate Sirius Receiver Installation kits.*

MODEL

5 Series Sedan (E39): Vehicle Production 9/02 - On

SUGGESTED INSTALLATION TIME 0.5 HOUR

Total installation time may vary depending on vehicle options and equipment.

The instructions below are developed for BMW vehicles and are not to be compared to any other existing instructions for vehicles other than BMW. No methods other than those specified in this document are to be used for installation in BMW vehicles. Left and right are determined from the driver's seat.

Carefully read all instructions and supplements before proceeding with the installation. Reference should be made to TIS for instructions dealing with a stock part of the vehicle but not stated in detail in these instructions.

The instructions were complete and up to date at time of publication; however, changes to the vehicle or installation may have occurred. Please report any problems or changes noted with the installation to BMW Technical Hotline, along with VIN, date of manufacture and as much detail as possible.

★ ★ DO IT RIGHT THE FIRST TIME, ON TIME, EVERY TIME ★ ★

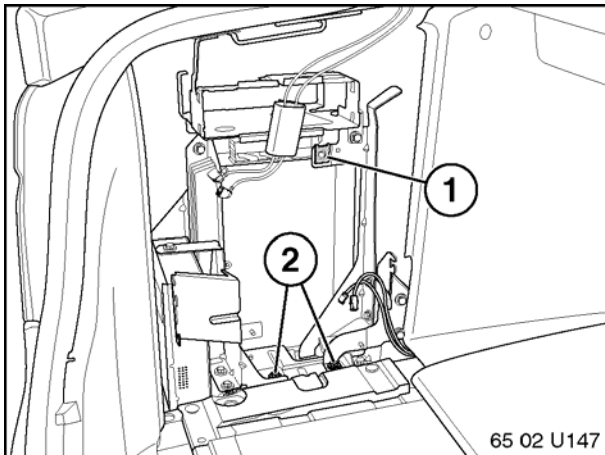
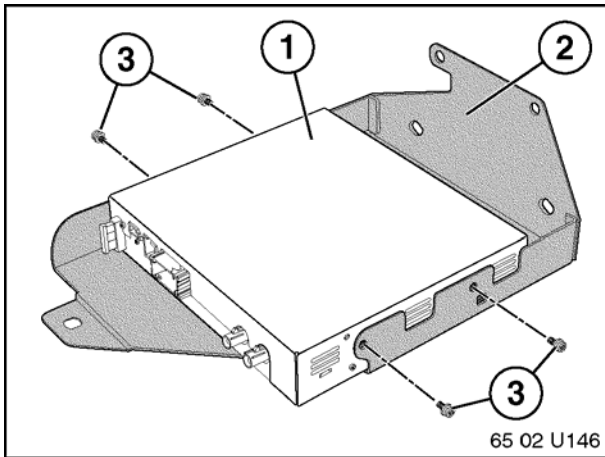
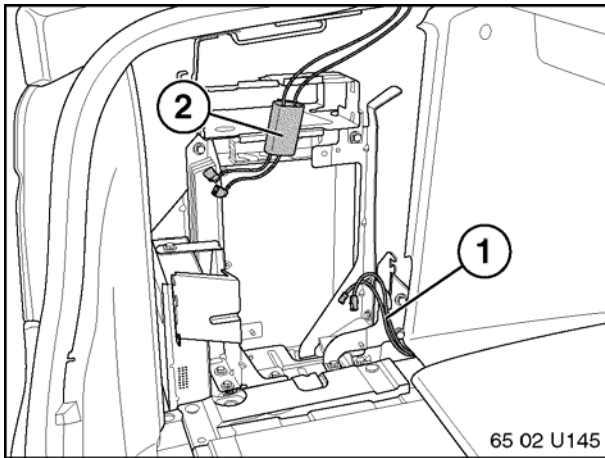
PARTS INFORMATION**Contents of Kit - P/N 84 11 0 141 975**

Description	Qty	BMW Part Number
Receiver Bracket	1	84 11 0 141 975
Receiver Mounting Screws (M4)	4	N/A
M5 Bolt	3	07 11 9 902 007
M5 clip nut	3	61 13 1 372 033
Rubber Plug	1	84 11 0 151 238
Wire ties	6	N/A

ADDITIONAL REQUIRED PARTS

Description	BMW Part Number
Sirius LPA Antenna Kit	84 11 0 399 301
Sirius Receiver	84 11 0 141 981
600mm CDC Extension Cable ⁽¹⁾	84 11 0 150 526

(1) Required only for vehicles equipped with optional Alpine CD Changer

Procedure

1. Mount Sirius Antenna using instructions for antenna installation kit.
2. Remove optional CD Changer (if equipped)
3. Locate factory pre-wired CD Changer 3-Pin Power and 6-Pin Audio Cables (1) and ALC Module (2) installed during Sirius Antenna procedure.

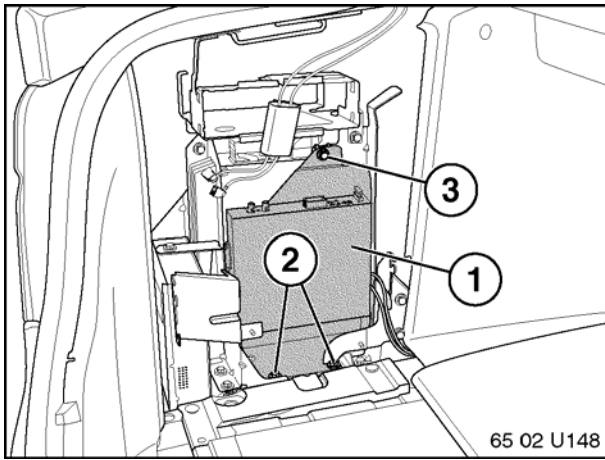
4. Mount Sirius receiver (1) in bracket (2) using 4 M4x6 screws (3) provided in kit.

Note: *Direction of bracket as it aligns to receiver in this installation.*

5. Insert M5 body nut in position (1) on upper mounting bracket. Remove the 2 bracket bolts (2) shown.

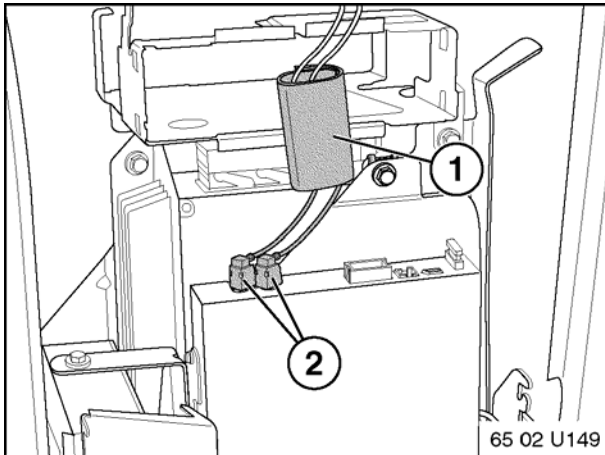
Note: *Some vehicles may not include CD Changer mounting brackets. In this case, insert 2 M5 clip nuts (provided) in the locations indicated (2).*

4



6. Mount Sirius receiver assembly (1) in this location and re-install 2 bolts (2) removed in previous step. Install 1 M5x14 bolt (3) from parts kit to M5 body nut from previous step.

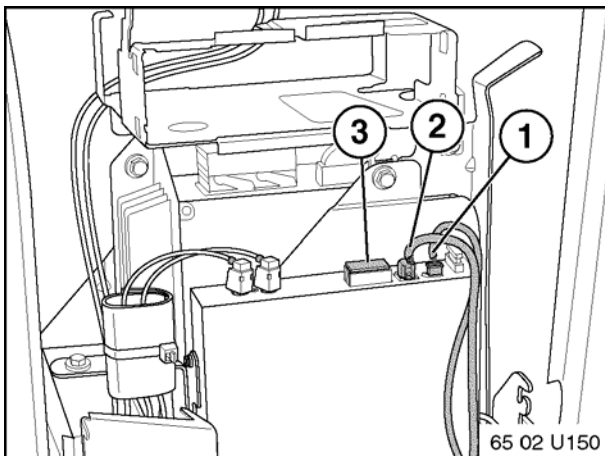
Note: Some vehicles may not include CD Changer mounting brackets. In this case, insert 2 M5 bolts (provided) in the locations indicated (2).



7. Connect 2 color-coded terminals from ALC module (1) to corresponding connectors on Sirius receiver (2).
8. Fasten ALC module to vehicle with wire-ties provided in kit. Mount ALC module in acceptable location so that it does not interfere with other electronic components and wiring harnesses.

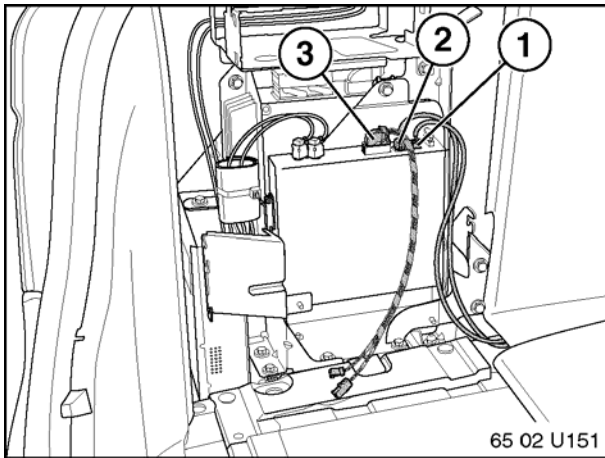
Note: Make sure that ALC antenna cables are not pinched and that ALC is placed in secure location to prevent vibration.

If Vehicle is NOT Equipped with Optional CD Changer



9. Insert CD Changer 3-Pin Power cable (1) and 6-Pin audio cable (2) into appropriate connectors on Sirius receiver. Install plug (3) from installation kit into Sirius receiver CD Changer extension connector.

Warning: Failure to insert the plug into the CDC extension connector could result in damage to the Sirius receiver.

If vehicle is equipped with optional CD Changer

10. Insert CD Changer 3-Pin Power cable (1) and 6-Pin audio cable (2) into appropriate slots on Sirius receiver. Install 600mm CD Changer extension cable (3) into Sirius receiver and route cable to CD Changer mounting location. Connect CD Changer Cables and reinstall CD Changer in its original location.

Note: *If vehicle has both In-dash CD radio and DSP, it will be necessary to only connect 3-Pin Power connector from CD Changer Extension cable. The digital coaxial cable should be then connected between the CD changer and DSP for CDC audio signal.*

11. Fasten loose wiring with wire-ties.

Installation Complete.

Continue with Activation Procedure.

RETROFIT CODING

There is no retrofit coding required for this installation.

BMW NA SIRIUS SATELLITE RADIO ACTIVATION PROCEDURE:

Please refer to Centernet and/or BMW NA Parts Bulletins for latest Activation Procedure.

Step 1: Locate vehicle outside so that the roof with has a clear **Line-of-Sight** to the sky. Make sure that vehicle is located at a distance greater than 10 feet from nearest building. (Do not place vehicle under a tree or other solid structure.)

Note: For BMW Centers located in downtown cities such as NYC or LA, it may not be necessary to locate vehicle outside. In this case, locate vehicle near window or other area with adequate signal strength to receive Sirius signal and activate receiver. Please consult your Sirius representative for signal coverage in your area.

Step 2: Turn key to position 1. (**KL-R**)

Step 3: Turn Radio **ON** by pressing knob.

Step 4: Press the **"MODE"** button repeatedly until Sirius Satellite Mode is activated. **"SIRIUS"** will be displayed.

Step 5: The receiver will now try to find any available Sirius Satellite Radio signal. **"ACQUIRING"** may flash in the display until a channel is found. This step may take 2-3 minutes. (If **"ACQUIRING"** continues to flash then no Sirius signal is available. Please re-locate vehicle and repeat Steps 1 – 4.)

Step 6: Channel 184 **"CH 184"** should be found and **"Weather"** should be displayed. Audio should also be heard at this time. (Channel 184 should be available on every receiver and was designed to allow technicians to confirm Sirius receiver functionality before activation.)

Step 7: If **"Weather"** is displayed and audio is functioning correctly (Check radio Balance and Fader), proceed to step 10. If not, go to next step.

Step 8: If "No Channel" is displayed, turn radio OFF, wait 10 seconds, and repeat Steps 3 & 4.

Step 9: Press channel up/down arrow keys repeatedly until Channel 184 is found and "Weather" is displayed. Allow receiver to update information. (Approx. 30 seconds) Audio should now be heard, "Weather" is displayed and Channel 184 should be the only available channel. If you are able to select other "unavailable" channels repeat Steps 3 – 6.

Step 10: Contact Sirius to activate the receiver. **Sirius Receiver ESN** can be found on the Sirius receiver or by pressing **"SAT"** key on the MID radio for greater than 1.5 seconds and ESN will be displayed.

Step 11: After Sirius Customer Service Representative activates receiver, it will take approximately 5 minutes or less for signal to reach the vehicle. Leave radio in Sirius Satellite mode with **"Weather"** displayed and key in **KL-R** position for approximately 5 minutes.

Step 12: Turn Radio OFF by pressing knob, wait 10 seconds, and repeat Steps 3 & 4.

Step 13: Press channel up/down arrow keys to select available channels. All available channels can now be selected and/or stored in 18 Preset locations. (Please refer to Owner's Manual for additional Sirius Satellite Mode functionality and features.) **ACTIVATION COMPLETE**

Step 14: If channels other than Channel 184 are not available, repeat Steps 12 & 13. If channels are still not available, it may be necessary to repeat Steps 10 – 13 for additional activation attempt.